



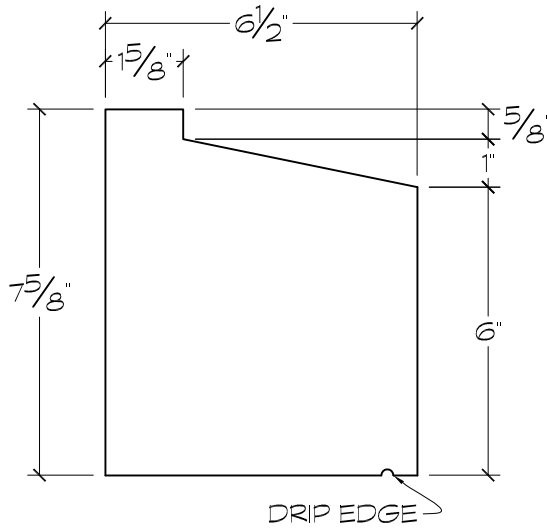
Harvey Cement Products, Inc.

Since 1947

16030 Park Avenue, Harvey, IL 60426

Ph: 708.333.1900 F: 708.333.1910

www.harveycement.com

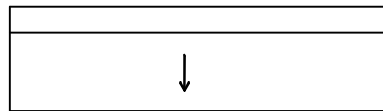


CROSS SECTION

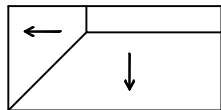
1 **PROFILE EC**

ARCH REF:
SCALE: 3"=1'-0"

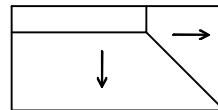
TOP VIEWS



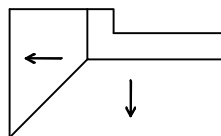
STRAIGHT



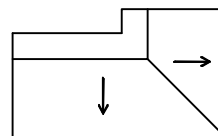
LEFT END RETURN



RIGHT END RETURN



CUSTOM LEFT RETURN



CUSTOM RIGHT RETURN

DRIP EDGE - OPTIONAL

Profile ID

EC

SUGGESTED USE

| | |
|-----------------|---|
| Sill | |
| Transition Band | X |
| Coping | |
| Cap | X |
| Band | |
| Field | |
| | |
| | |

TYPE / SIZE
AVAILABILITY

| TYPE | LENGTH(S) |
|-------------------|--|
| Straight | 23 ⁵ / ₈ " |
| Left End Return | Up to 23 ⁵ / ₈ " |
| Right End Return | Up to 23 ⁵ / ₈ " |
| Custom Left Ret. | Up to 23 ⁵ / ₈ " |
| Custom Right Ret. | Up to 23 ⁵ / ₈ " |